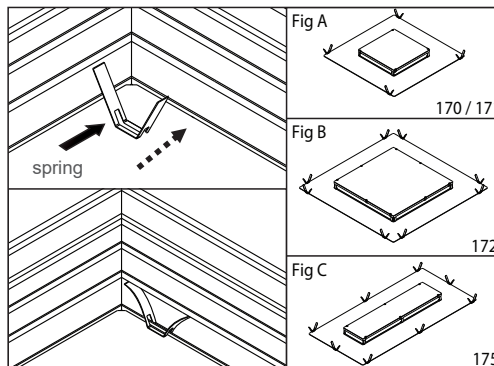
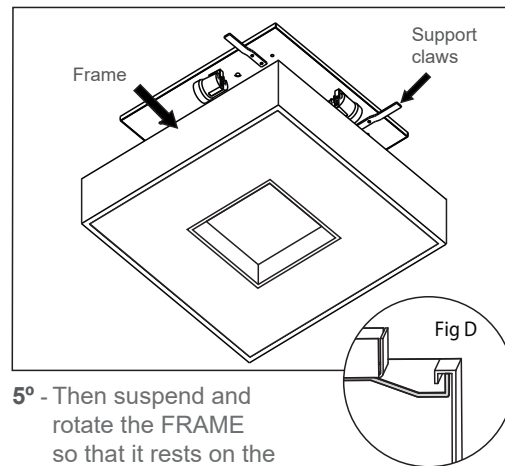


- 1° - Make the electrical installation.
- 2° Fix the LAMP BASE on the ceiling with the dowels and screws that accompanying the product.
- 3° Place the lamps. **Do not use incandescent lamps.**



- 4° - Place the SPRINGS as shown in the images above.
- * Position the SPRINGS accordingly with the figures indicated for your product (A, B or C)



- 5° - Then suspend and rotate the FRAME so that it rests on the SUPPORT - check Fig. D.

* Watch out for sharp edges and edges of product so as not to damage when handling

ML-2264 18" x 18" x 4 2/3" 4xE26 120/277V **Power Max: 11W Weight: 5.22 lbs**

Attention

Follow the instructions to ensure proper and safe operation. We recommend that the installation be done by a qualified professional. Recessed ceiling installation requires rigid support point attachment and special installations require special attachment.

Important

Lamps, transformers, and reactors are not included with the product except as noted. Failure to follow the instructions in the manual could result in accidents and loss of warranty. Do not adjust springs and brackets unless otherwise indicated.

Warranty: 1 year for product and 5 years for Led and Driver.

Cleaning and Maintenance

Before any action turn off the electric current. Clean only with water dampened flannel, never use chemicals or abrasives. The materials that make up the product are non-toxic.